

Solarspot D-25

Tubular daylighting system

This entry sized system is designed for smaller domestic applications and smaller areas of commercial buildings. It can also be used in multiples to light larger areas when access through the building fabric is restricted. At just 250mm in diameter, the D-25 will fit into most building structures avoiding any need for structural alterations.

Solarspot D-25 application examples

- Bathrooms and en suites
- Hallways and corridors
- Landings and stairwells

Solarspot D-25 accessories and components

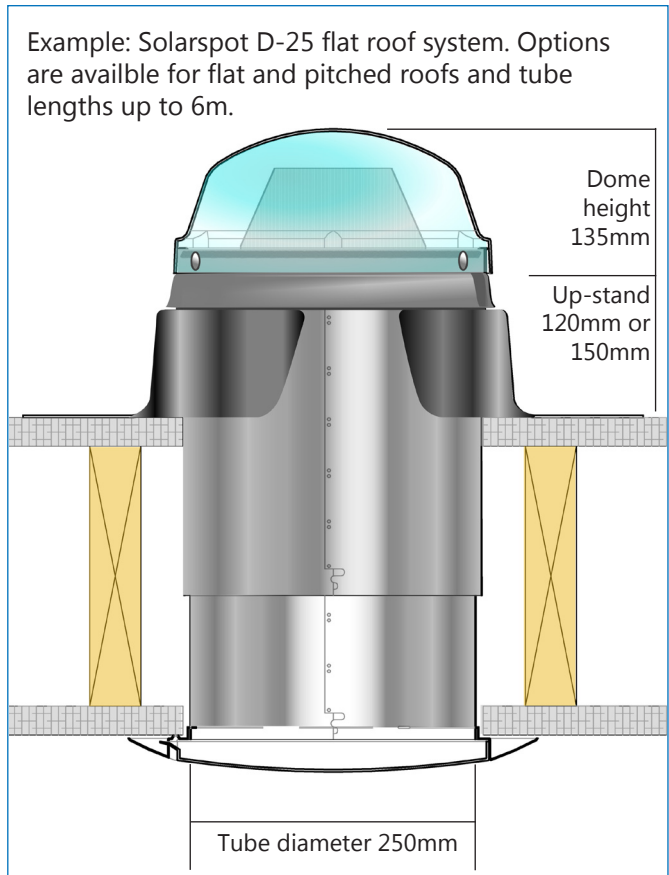
- Available in 400 and 600mm basekits
- Extension tubes available; 300, 400, 600 & 1200mm
- Combined ventilation systems
- Electronic and manual damping available
- Combined intelligent LED options
- Integrated low-energy light kits
- Full range of round, square and open-ceiling diffusers

Solarspot D-25 system benefits

- Canvas double-glazed dome for superior thermal performance
- Integrated RIR light funnel for increased daylight capture in all light conditions
- Vegalux extensions and adjustable angles - 99.7% reflectivity on all components
- All systems supplied fully assembled fast and easy installation (excludes extension tubes)



The D-25 is available with a range of flashings for integration into virtually any roof type



System specification - Solarspot D-25	
Tube diameter	250mm
Recommended for areas up to	12sqm
Potential tube length	6m
Efficiency rating (2.2m)	55%
Acrylic non-yellowing Cristal dome	
Polycarbonate inner anti-condensation lens	
Vegalux reflective tubing - 99.7%	
Flashings in spun aluminised steel and uPVC	



Available in with a range of ceiling diffusers

Collarless diffusers for open ceiling applications
 Dress ring diffusers for plasterboard ceilings
 Square diffusers for plasterboard or suspended ceilings

Diffuser finishes; Prismatic, Perlato, Radial and Vision.
 Lenses in acrylic or polycarbonate. Models vary.