

Solarspot D-38

Tubular daylighting system

This mid-sized system is designed for larger domestic applications and smaller areas of commercial buildings. It can also be used in multiples to light larger areas when access through the building fabric is restricted. At just 375mm in diameter, the D-38 will fit into most building structures avoiding any need for structural alterations.

Solarspot D-38 Application examples

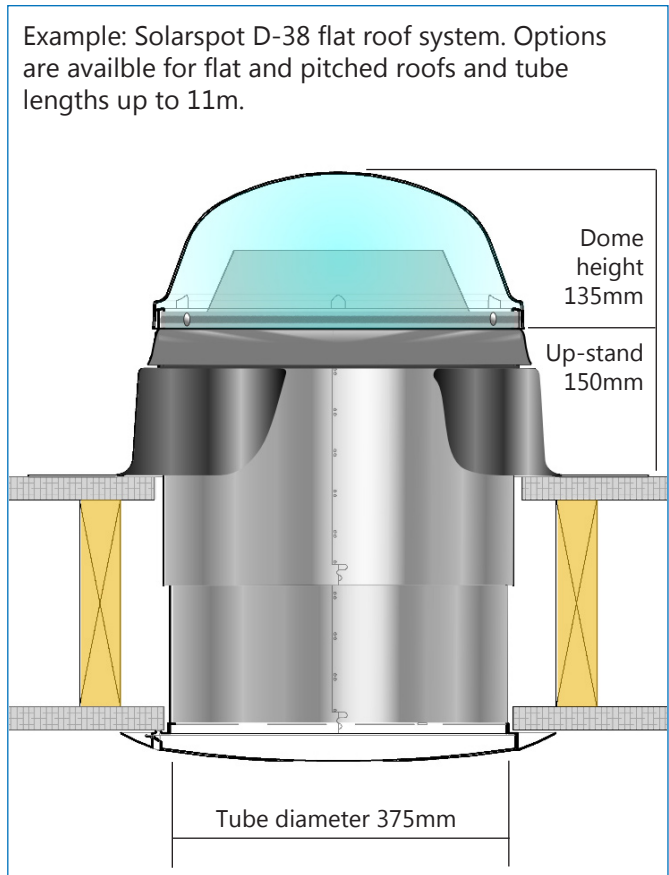
- Kitchens and living areas
- Studies, workshops, offices, classrooms
- Larger corridors and stairwells
- Communal toilets and shower blocks
- Custodial facilities

Solarspot D-38 accessories and components

- Available in 400 and 600mm basekits
- Extension tubes available; 300, 400, 600 & 1200mm
- Combined ventilation systems
- Electronic and manual damping available
- Combined intelligent LED options
- Integrated low-energy light kits
- Full range of round, square and open-ceiling diffusers

Solarspot D-38 system benefits

- Canvas double-glazed dome for superior thermal performance
- Integrated RIR light funnel for increased daylight capture in all light conditions
- Vegalux extensions and adjustable angles - 99.7% reflectivity on all components
- All systems supplied fully assembled fast and easy installation (excludes extension tubes)



System specification - Solarspot D-38	
Tube diameter	375mm
Recommended for areas up to	22sqm
Potential tube length	11m
Efficiency rating (2.2m)	57%
Acrylic non-yellowing Cristal dome	
Polycarbonate inner anti-condensation lens	
Vegalux reflective tubing - 99.7%	
Flashings in spun aluminised steel and uPVC	



The D-38 is available with a range of flashings for integration into virtually any roof type



Available in with a range of ceiling diffusers

Collarless diffusers for open ceiling applications
 Dress ring diffusers for plasterboard ceilings
 Square diffusers for plasterboard or suspended ceilings

Diffuser finishes; Prismatic, Perlato, Radial and Vision.
 Lenses in acrylic or polycarbonate. Models vary.