

Solarspot D-53

Tubular daylighting system

This mid-sized system is designed for office, classroom and commercial applications as well as smaller areas of manufacturing, retail or warehouses. It can also be used in multiples to light larger areas when access through the building fabric is restricted. At just 530mm in diameter, the D-53 will fit into most commercial building structures avoiding any need for structural alterations.

Solarspot D-53 Application examples

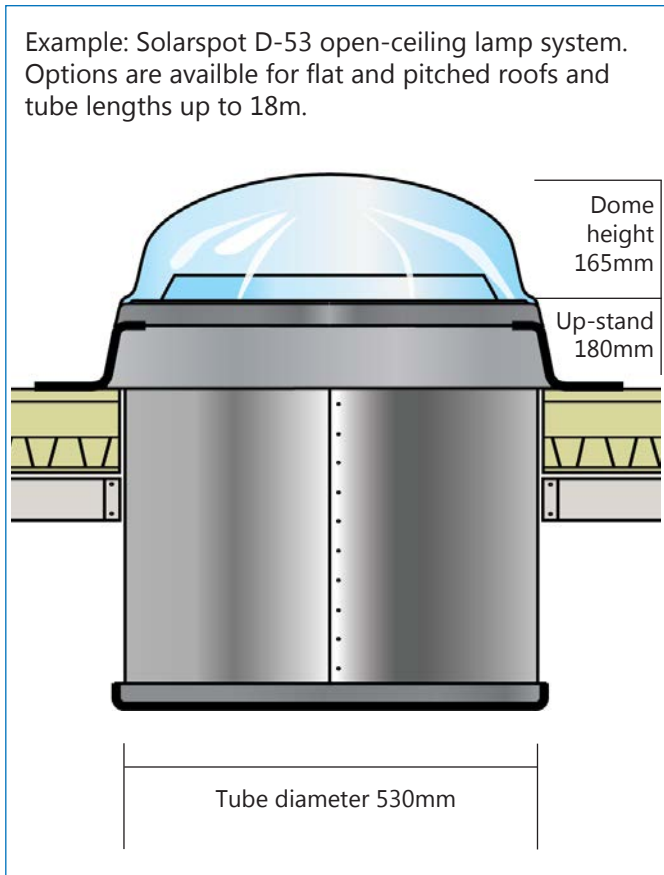
- Offices, meeting rooms, foyers
- Classrooms
- Larger corridors and stairwells
- Manufacturing and warehousing
- Retail, hospitals, surgeries etc

Solarspot D-53 accessories and components

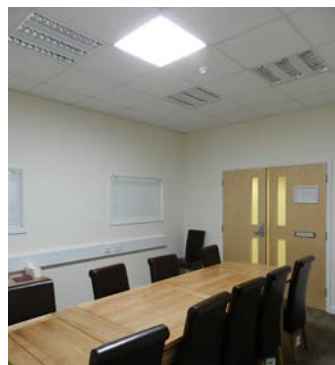
- Available in 400, 600 and 1200mm basekits
- Extension tubes available; 300, 400, 600 & 1200mm
- Electronic damping available
- Combined intelligent LED options
- Integrated low-energy light kits
- Full range of round, square and open-ceiling diffusers

Solarspot D-53 system benefits

- Canvas double-glazed dome for superior thermal performance
- Integrated RIR light funnel for increased daylight capture in all light conditions
- Vegalux extensions and adjustable angles - 99.7% reflectivity on all components
- All systems supplied fully assembled fast and easy installation (excludes extension tubes)



System specification - Solarspot D-53	
Tube diameter	530mm
Recommended for areas up to	32sqm
Potential tube length	18m
Efficiency rating (2.2m)	65%
Acrylic Cristal or polycarbonate dome	
Polycarbonate inner anti-condensation lens	
Vegalux reflective tubing - 99.7%	
Flashings in spun aluminised steel and uPVC	



The D-53 is available with a range of flashings for integration into virtually any roof type



Available in a range of ceiling diffuser options

Collarless diffusers for open ceiling applications
 Dress ring diffusers for plasterboard ceilings
 Square diffusers for plasterboard or suspended ceilings

Diffuser finishes; Prismatic, Perlato, Radial and Vision.
 Lenses in acrylic or polycarbonate. Models vary.