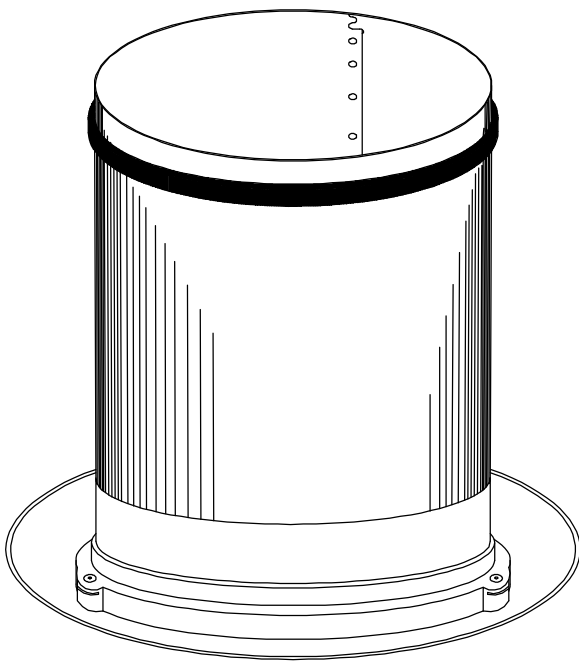
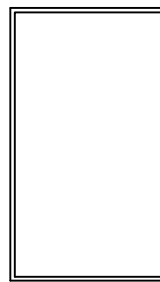


LIGHT KIT INSTRUCTION



diffuser

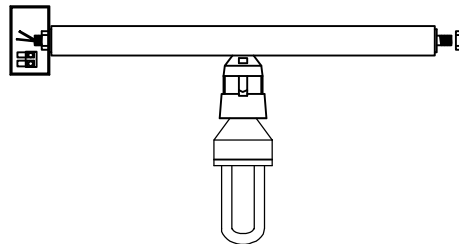


nylon nut

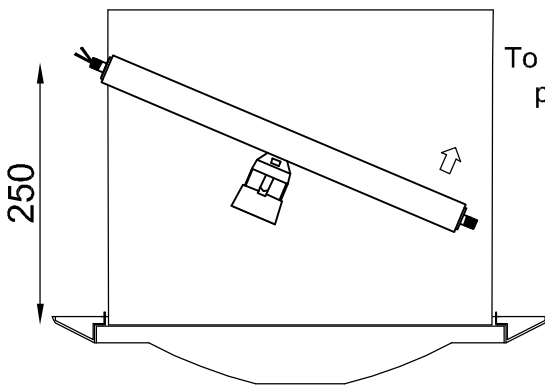


mammut

derivation box



light bulb:
PL electronic-T827
20 watt

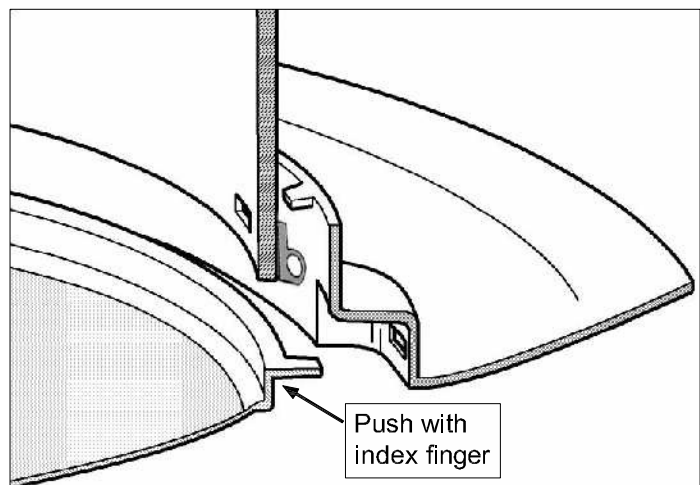
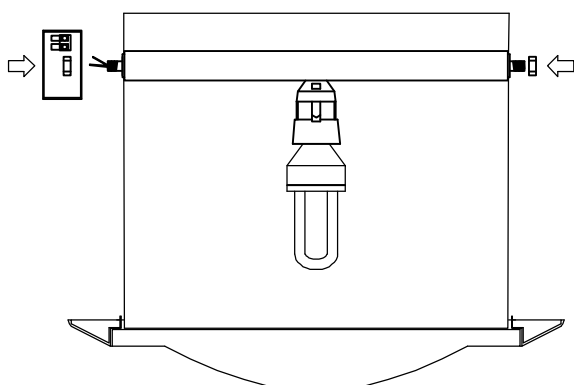


light kit

To apply or remove the diffuser, push the index finger into the proper holes to make easier the insertion and the unlocking of the tongues of the diffuser.

IMPORTANT:

To replace the bulb, be sure that this operation will be made without electric current



N.B.: In case of kit Solarspot with Lamp diffuser, the operation of removing of the diffuser can't be made. Consider this for the light kit mounting operations.

The light kit must be installed under the connection point between two tubes. The lamp never has to touch the diffuser surface. To fix the right distance between light kit and diffuser, please take both aspects in consideration.



Management System
ISO 9001:2008



Via Milano, 96 / a - 21034 Cocquio Trevisago (VA)

Tel. +39 0332/700137 Fax 0332/702098 - www.solarspot.it - info@solarspot.it

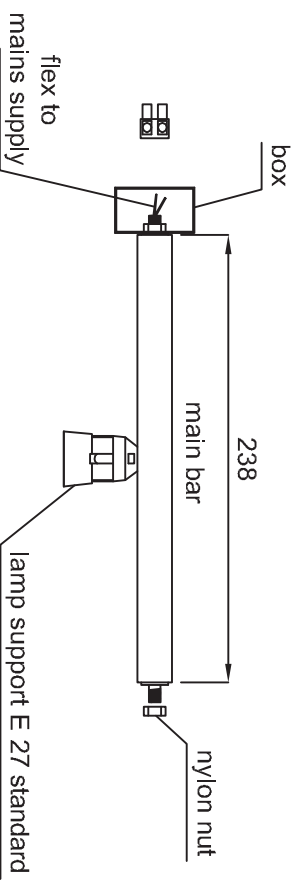
This drawing is an essential part of our intellectual property. Its reproduction, for unauthorized informational purposes, is strictly forbidden.



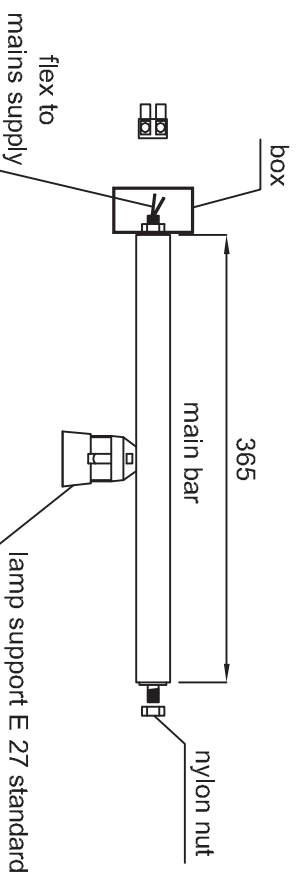
Cod.: 459 Date: 12.11.2012
Ufficio tecnico\moreno\parte tecnica\Istruzioni\Istruzioni kit luce\459_Istruzioni kit luce_121112

TD 15: LIGHT KIT

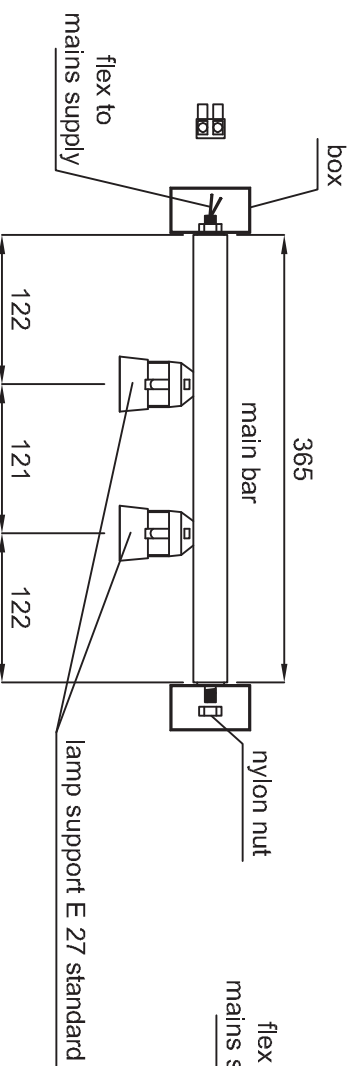
code 25KLB1



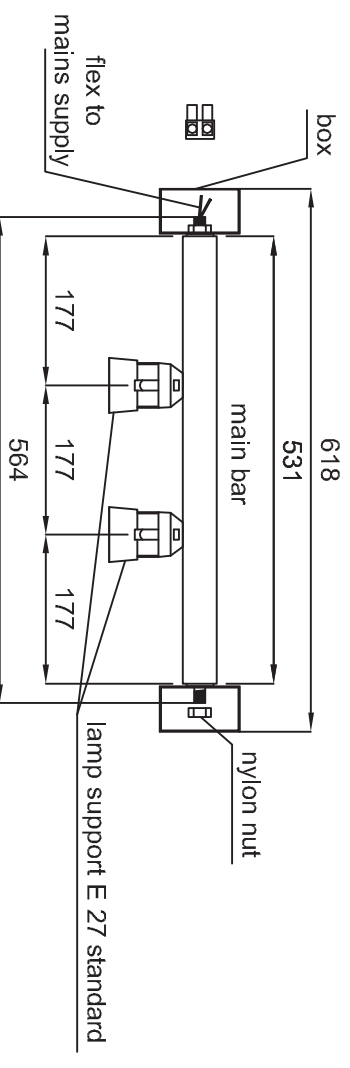
code 38KLB1



code 38KLB2



code 53KLB2



code 65KLB2

