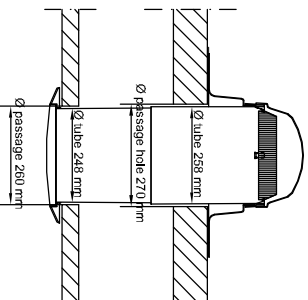


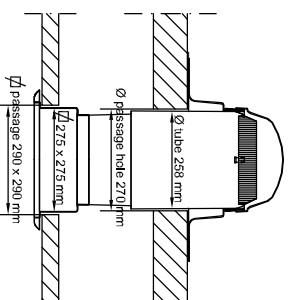
# TD 16-1: MINIMUM APERTURE OF PASSAGE TO LEAVE IN CROSSINGS

## Minimum diameters of passage holes for Solarspot® systems Ø250

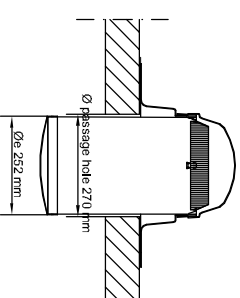
**25KB41A**  
**25KB61A**  
 System with  
 decor ring Ø 250



**25KS61A**  
 System with transition  
 box RT30R Ø 250

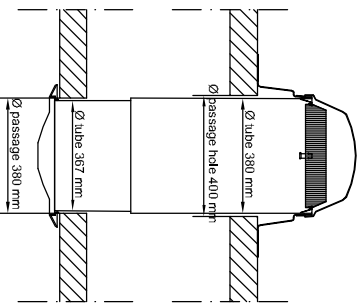


**25KL10**  
 Lamp Kit Ø 250

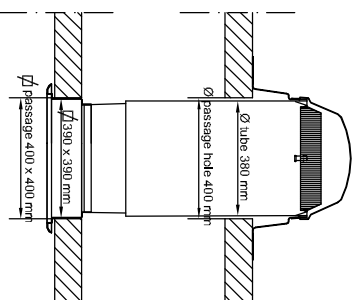


## Minimum diameters of passage holes for Solarspot® systems Ø375

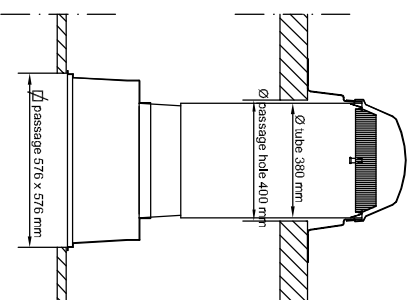
**38KB41A**  
**38KB61A**  
 System with  
 decor ring Ø 375



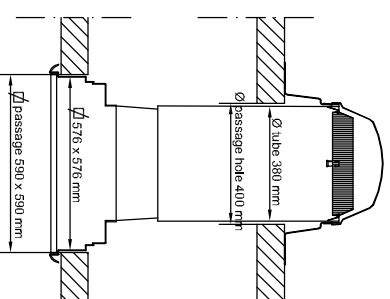
**38KS61A**  
 System with transition  
 box RT40R Ø 375



**38KS61A**  
 System with transition  
 box RT60R Ø 375



**38KS61A**  
 System with transition  
 box RT66R Ø 375



**38KL10**  
 Lamp Kit Ø 375

